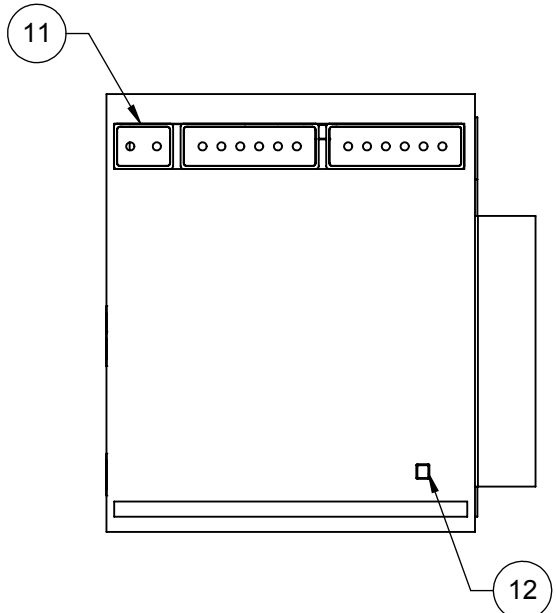
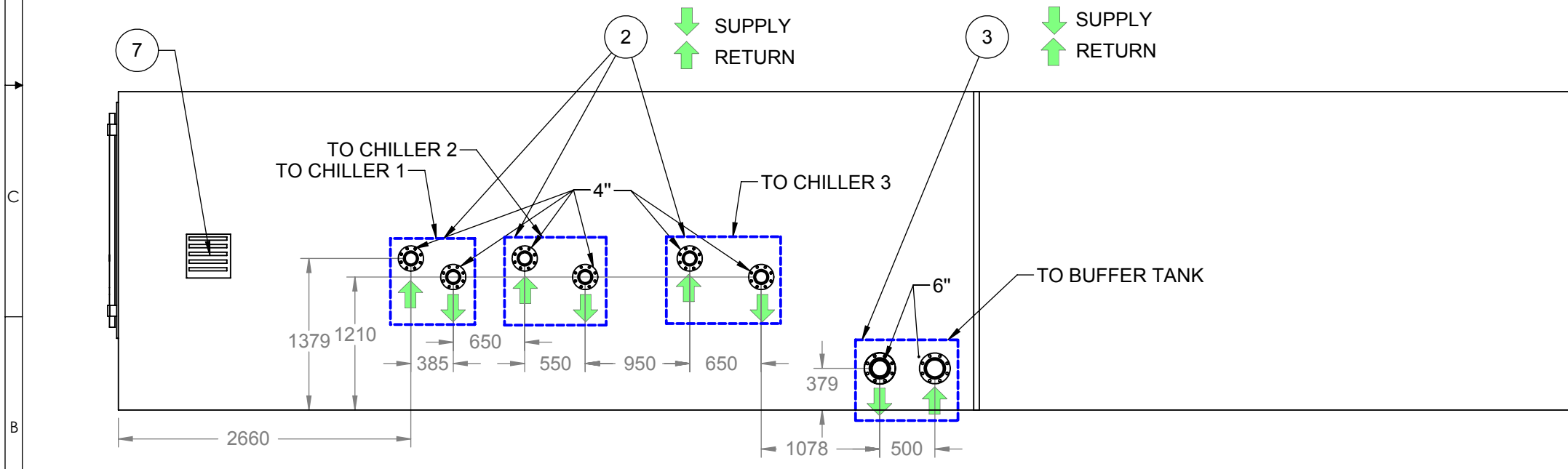
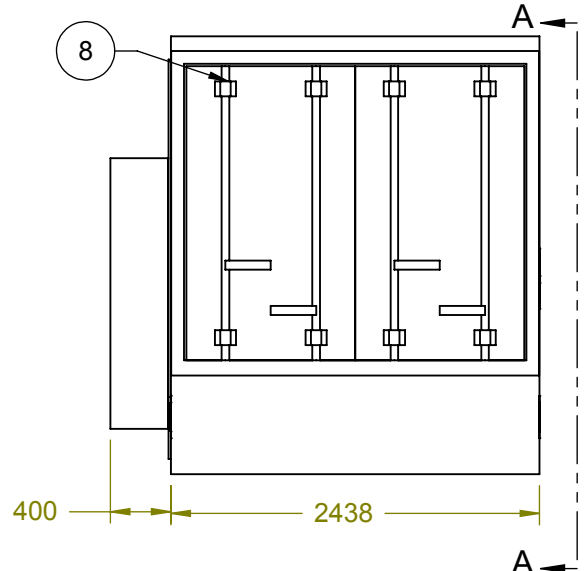
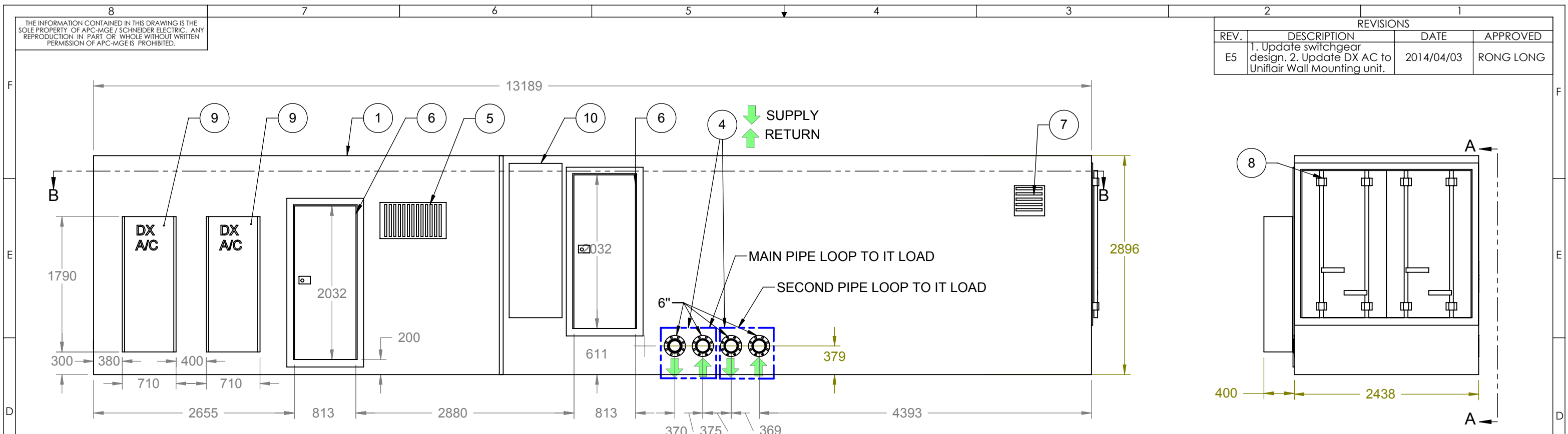


THE INFORMATION CONTAINED IN THIS DRAWING IS THE SOLE PROPERTY OF APC-MGE / SCHNEIDER ELECTRIC. ANY REPRODUCTION IN PART OR WHOLE WITHOUT WRITTEN PERMISSION OF APC-MGE IS PROHIBITED.

REVISIONS			
REV.	DESCRIPTION	DATE	APPROVED
E5	1. Update switchgear design. 2. Update DX AC to Uniflair Wall Mounting unit.	2014/04/03	RONG LONG

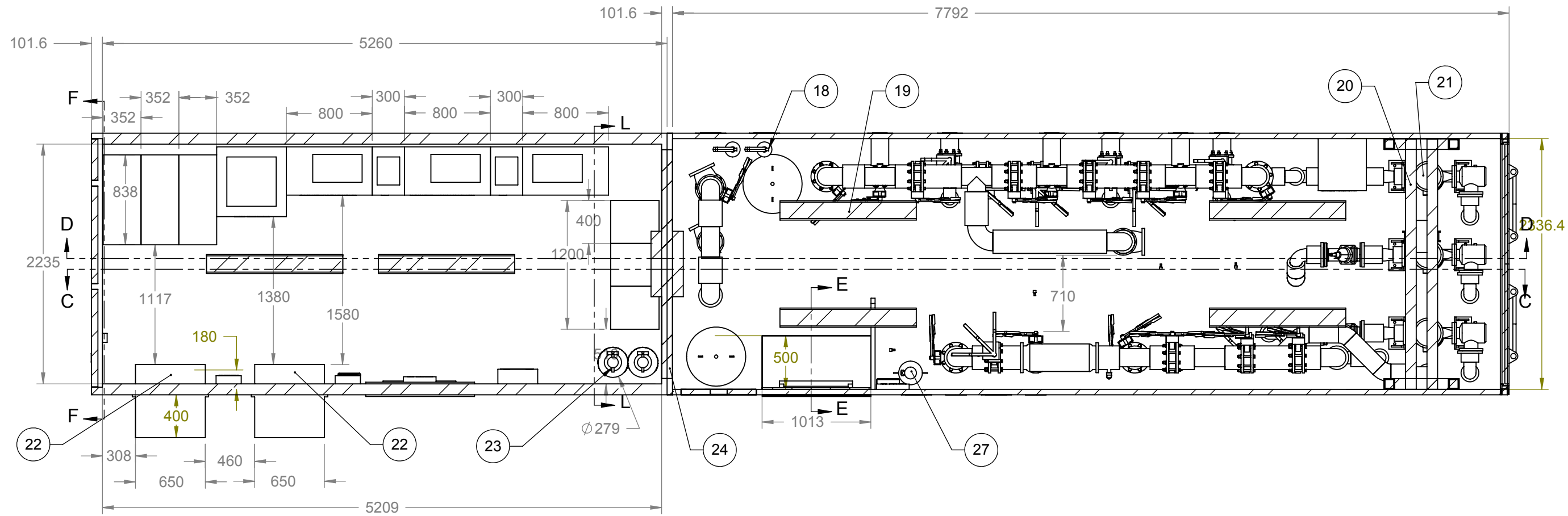


SECTION A-A
SCALE 1 : 50

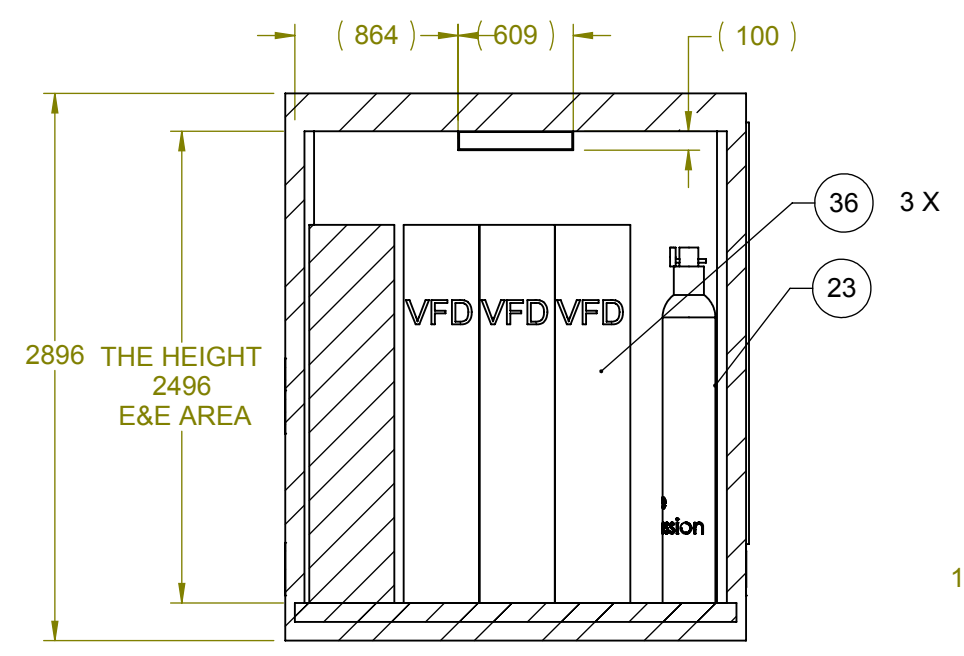
- 1. 43.3FT HQ CONTAINER:
EXTERNAL DIMENSION:13189x2438x2896
- 2. INLET&OUTLET TO CHILLER
- 3. INLET&OUTLET TO BUFFER TANK
- 4. INLET&OUTLET TO IT LOAD
- 5. FIRE SUPPRESSION PRESSURE RELIEF VALVE
- 6. PERSONNEL DOORS
- 7. VENTILATION FAN
- 8. PUMP SERVICE ACCESS DOOR
- 9. WALL MOUNTING DX AIR CONDITIONERS
- 10. REMOVABLE PANEL
- 11. CABLE ENTRY-TOP CONNECTION(REFERENCE)
- 12. OUTLET FOR SHORE POWER

UNLESS NOTED, DIMENSIONS IN MILLIMETERS & TOLERANCES ARE: X. ±3 MM X° ±1° X.X ±1.5 MM X.X° ±0.5° X.XX ±0.50 MM ØX.X ±0.3 MM ØX.XX ±0.10 MM		DRAWN: YAOSHUN ENGINEER: RONG LONG DATE: 2014-04-03	2014-04-03		801 CORPORATE CENTER DR. CHATTANOOGA, TN 37403 615-300-2300 615-300-2333 FAX
BRACKETED DIMENSIONS ARE IN INCHES & FOR REFERENCE ONLY		DRAWING FILE NAME: HM-500KW-50Hz	SIZE: B		PRODUCT: Mechanical Layout Hydromics Modules
THIRD ANGLE PROJECTION		3D MODEL FILE NAME: HM-500KW-50Hz	3D MODEL CONFIGURATION: TierIII 50Hz 3UPS	SCALE: 1:100	DO NOT SCALE DRAWING. INTERPRET PER ASME Y14.5M-1994

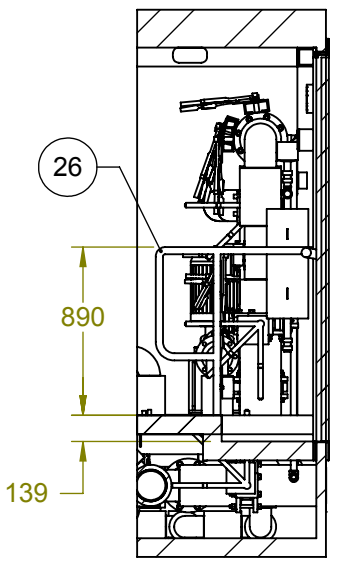
THE INFORMATION CONTAINED IN THIS DRAWING IS THE SOLE PROPERTY OF APC-MGE / SCHNEIDER ELECTRIC. ANY REPRODUCTION IN PART OR WHOLE WITHOUT WRITTEN PERMISSION OF APC-MGE IS PROHIBITED.



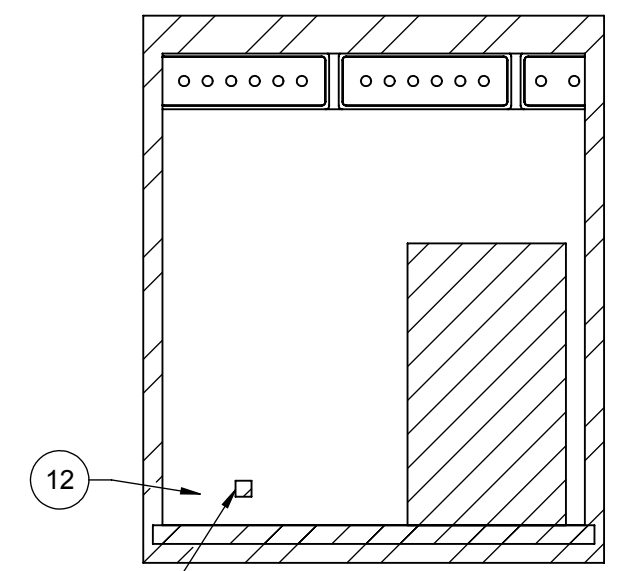
SECTION B-B
SCALE 1 : 40



SECTION L-L
SCALE 1 : 40



SECTION E-E
SCALE 1 : 40

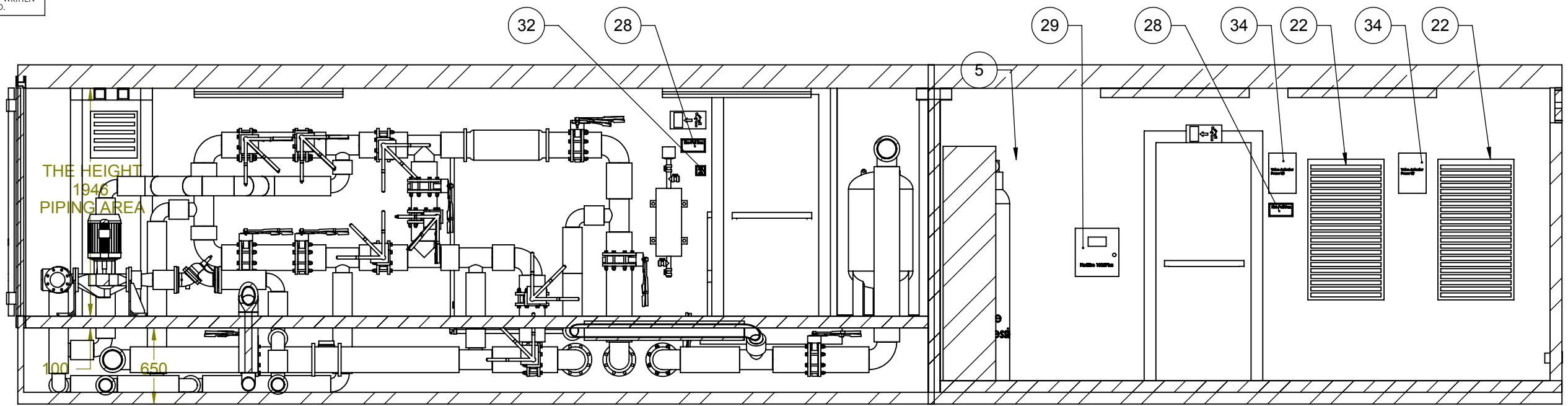


SECTION F-F
SCALE 1 : 40

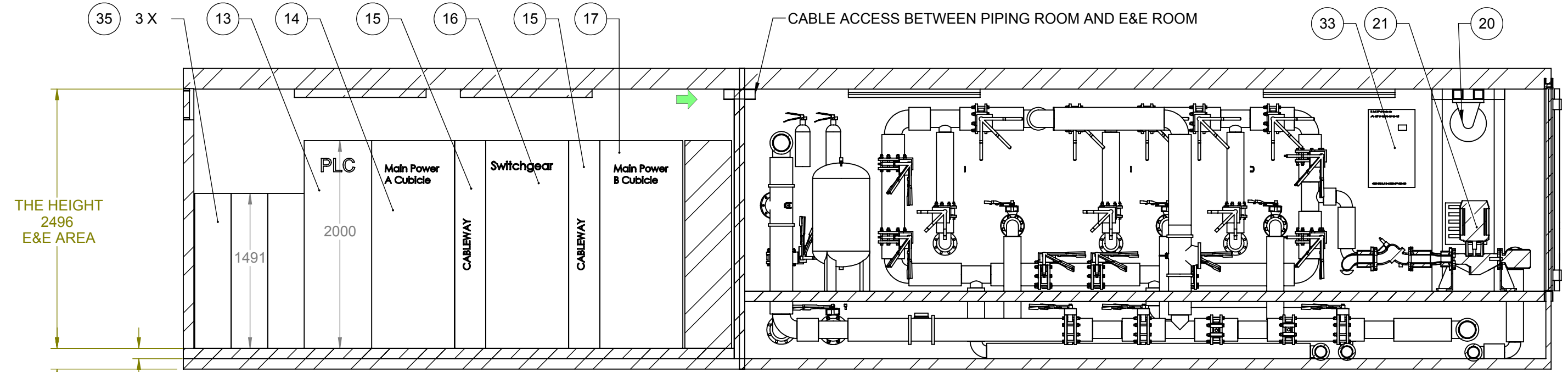
- 13. PLC & ACCESSORIES CABINET
- 14. MAIN POWER A CUBICLE
- 15. CABLEWAY
- 16. ATS CUBICLE
- 17. MAIN POWER B CUBICLE
- 18. FIRE EXTINGUISHANT
- 19. LIGHTS
- 20. HOIST-FOR PUMP SERVICE
- 21. PUMP
- 22. MOTORIZED DAMPER
- 23. FIRE SUPPRESSION BOTTLE
- 24. INTERNAL WALL
- 25. EXPANSION TANK
- 26. HANDRAIL
- 27. CHEMICAL DOSING POT

UNLESS NOTED, DIMENSIONS IN MILLIMETERS & TOLERANCES ARE: X. ±3 MM X° ±1° X.X ±1.5 MM X.X° ±0.5° X.XX ±0.50 MM ØX.X ±0.3 MM ØX.XX ±0.10 MM		DRAWN: YAOSHUN 2014-04-03	Schneider Electric	801 CORPORATE CENTER DR. ORLANDO, FL 32837-1800 407-352-2300 407-352-2333 FAX
BRACKETED DIMENSIONS ARE IN INCHES & FOR REFERENCE ONLY		ENGINEER: RONG LONG 2014-04-03		ITEM: Mechanical Layout
THIRD ANGLE PROJECTION		DRAWING FILE NAME: HM-500KW-50Hz	PRODUCT: Hydromics Modules	REV: E5
		3D MODEL FILE NAME: HM-500KW-50Hz	SCALE: 1:100 (DO NOT SCALE DRAWING)	INTERPRET PER ASME Y14.5M-1994 SHEET 2 OF 6

THE INFORMATION CONTAINED IN THIS DRAWING IS THE SOLE PROPERTY OF APC-MGE / SCHNEIDER ELECTRIC. ANY REPRODUCTION IN PART OR WHOLE WITHOUT WRITTEN PERMISSION OF APC-MGE IS PROHIBITED.



SECTION C-C
SCALE 1 : 40

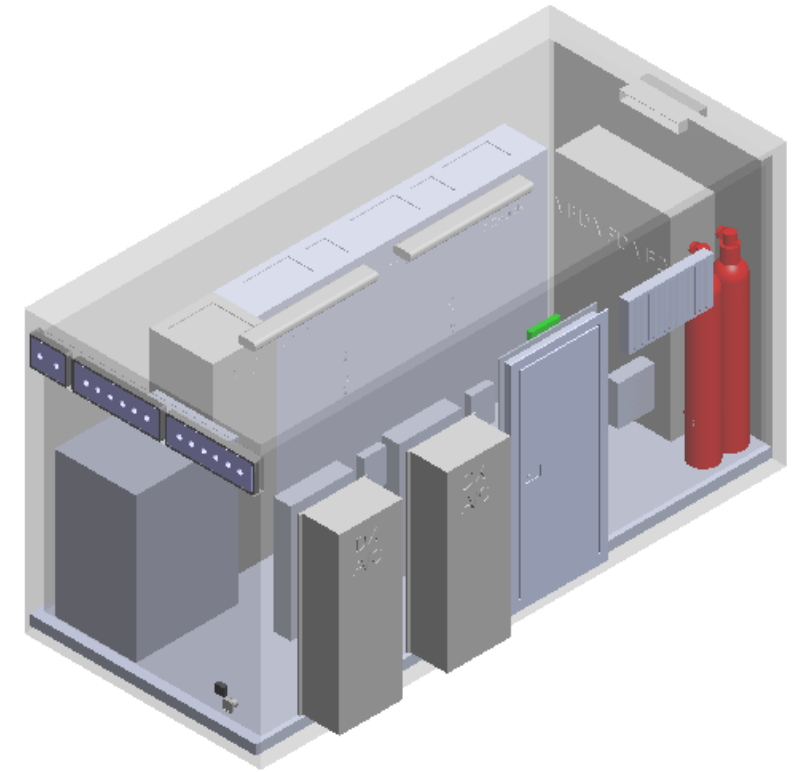
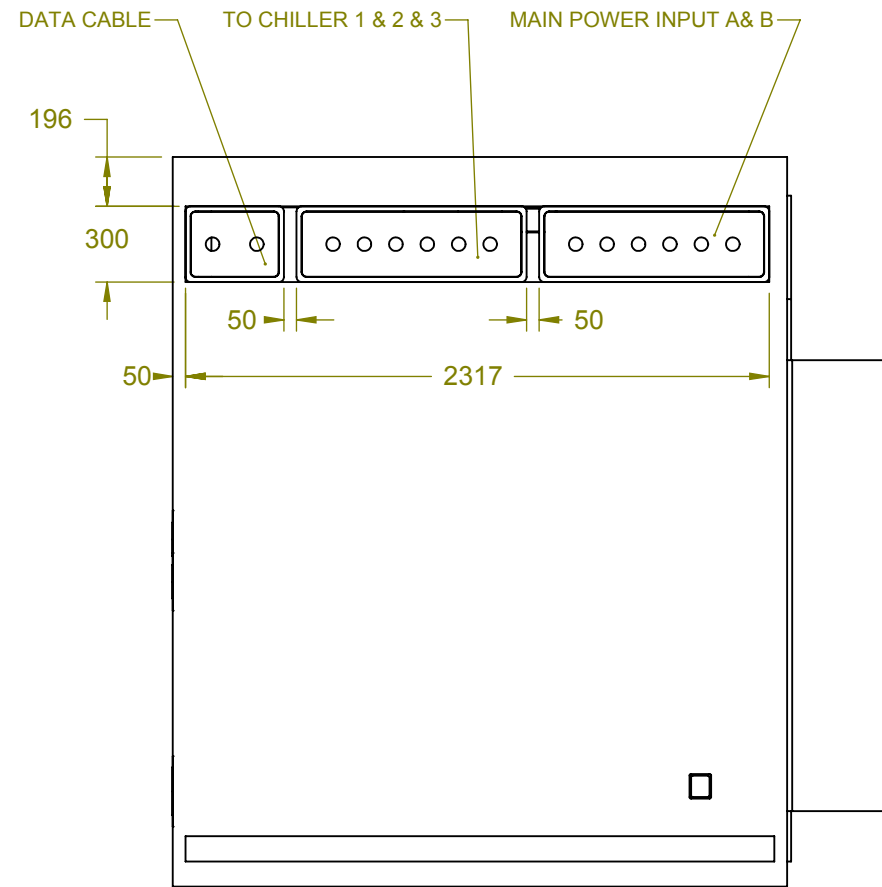


SECTION D-D
SCALE 1 : 40

- 28. FIRE PULL BOX
- 29. FIRE SUPPRESSION CONTROL BOX
- 30. E&E ROOM FLOOR : SOLID FLOOR
- 31. PIPING ROOM FLOOR : MESH FLOOR & REMOVABLE FLOOR UNDERGROUND VALVE SERVICE
- 32. GFI OUTLETS
- 33. PREESURIZATION UNIT
- 34. DX AC CONTROLLER
- 35. UPS

UNLESS NOTED, DIMENSIONS IN MILLIMETERS & TOLERANCES ARE: X. ±3 MM X° ± 1° X.X ± 1.5 MM X.X° ± 0.5° X.XX ± 0.50 MM ØX.X ± 0.3 MM ØX.XX ± 0.10 MM	DRAWN YAOSHUN	2014-04-03	Schneider Electric	801 CORPORATE CENTER DR. OTTAWA, ONT. K1H 8S9 636-300-2300 636-300-2333 FAX
	ENGINEER RONG LONG	2014-04-03		
BRACKETED DIMENSIONS ARE IN INCHES & FOR REFERENCE ONLY	DRAWING FILE NAME	PRODUCT	Mechanical Layout	
THIRD ANGLE PROJECTION	3D MODEL FILE NAME HM-500KW-50Hz	SIZE	Hydromics Modules	
	3D MODEL CONFIGURATION TierIII 50Hz SUPS	SCALE	B	500kw 50Hz GCN&EMEA TierIII 3UPS
		INTERPRET PER ASME Y14.5M-1994		REV. E5

THE INFORMATION CONTAINED IN THIS DRAWING IS THE SOLE PROPERTY OF APC-MGE / SCHNEIDER ELECTRIC. ANY REPRODUCTION IN PART OR WHOLE WITHOUT WRITTEN PERMISSION OF APC-MGE IS PROHIBITED.



3D VIEW
SCALE: NONE

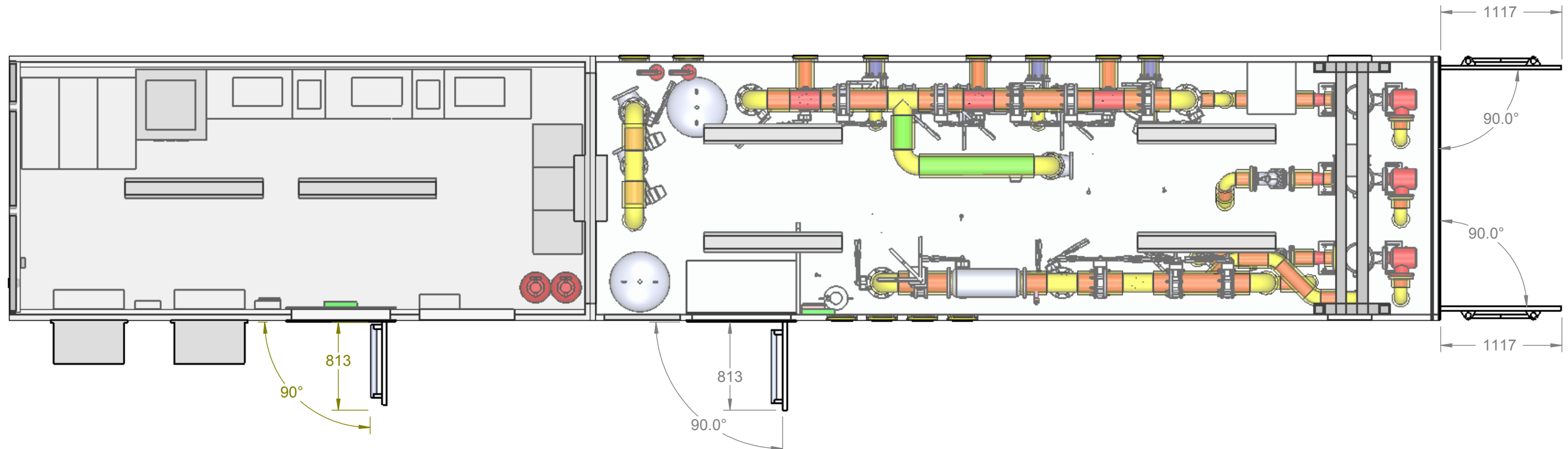
E&E AREA LEFT VIEW
OPENTION CABLE ENTRY-TOP CONNECTION

Electrical Request and External Cable Size

	Power Supply	FLA	LRA	AREA of Conductor	Standard
Main Power Input A	400V/3ph/50Hz	508.77	729.47	L1,L2,L3, N: 150mm ² x 3	IEC60364-5-52
Main Power Input B	400V/3ph/50Hz	508.77	729.47	L1,L2,L3, N: 150mm ² x 3	IEC60364-5-52
Output to Chiller 1	400V/3ph/50Hz	213.2	433.9	L1,L2,L3: 150mm ²	IEC60364-5-52
Output to Chiller 2	400V/3ph/50Hz	213.2	433.9	L1,L2,L3: 150mm ²	IEC60364-5-52
Output to Chiller 3	400V/3ph/50Hz	213.2	433.9	L1,L2,L3: 150mm ²	IEC60364-5-52

UNLESS NOTED, DIMENSIONS IN MILLIMETERS & TOLERANCES ARE: X. ± 3 MM X° ± 1° X.X ± 1.5 MM X.X° ± 0.5° X.XX ± 0.50 MM ØX.X ± 0.3 MM ØX.XX ± 0.10 MM	DRAWN YAOSHUN	2014-04-03	Schneider Electric	801 CORPORATE CENTER DR. OTTAWA, ONT. K1H 8S9 634-300-2333 634-300-2333 FAX
	ENGINEER RONG LONG	2014-04-03		
BRACKETED DIMENSIONS ARE IN INCHES & FOR REFERENCE ONLY	DRAWING FILE NAME	PRODUCT	Mechanical Layout	
THIRD ANGLE PROJECTION	3D MODEL FILE NAME HM-500KW-50Hz	SIZE	Hydromics Modules	
	3D MODEL CONFIGURATION TierIII 50Hz 3UPS	SCALE	REV.	
		B	500kw 50Hz GCN&EMEA TierIII 3UPS	E5
		1:100	DO NOT SCALE DRAWING	INTERPRET PER ASME Y14.5M-1994
		2	SHEET 4 OF 6	

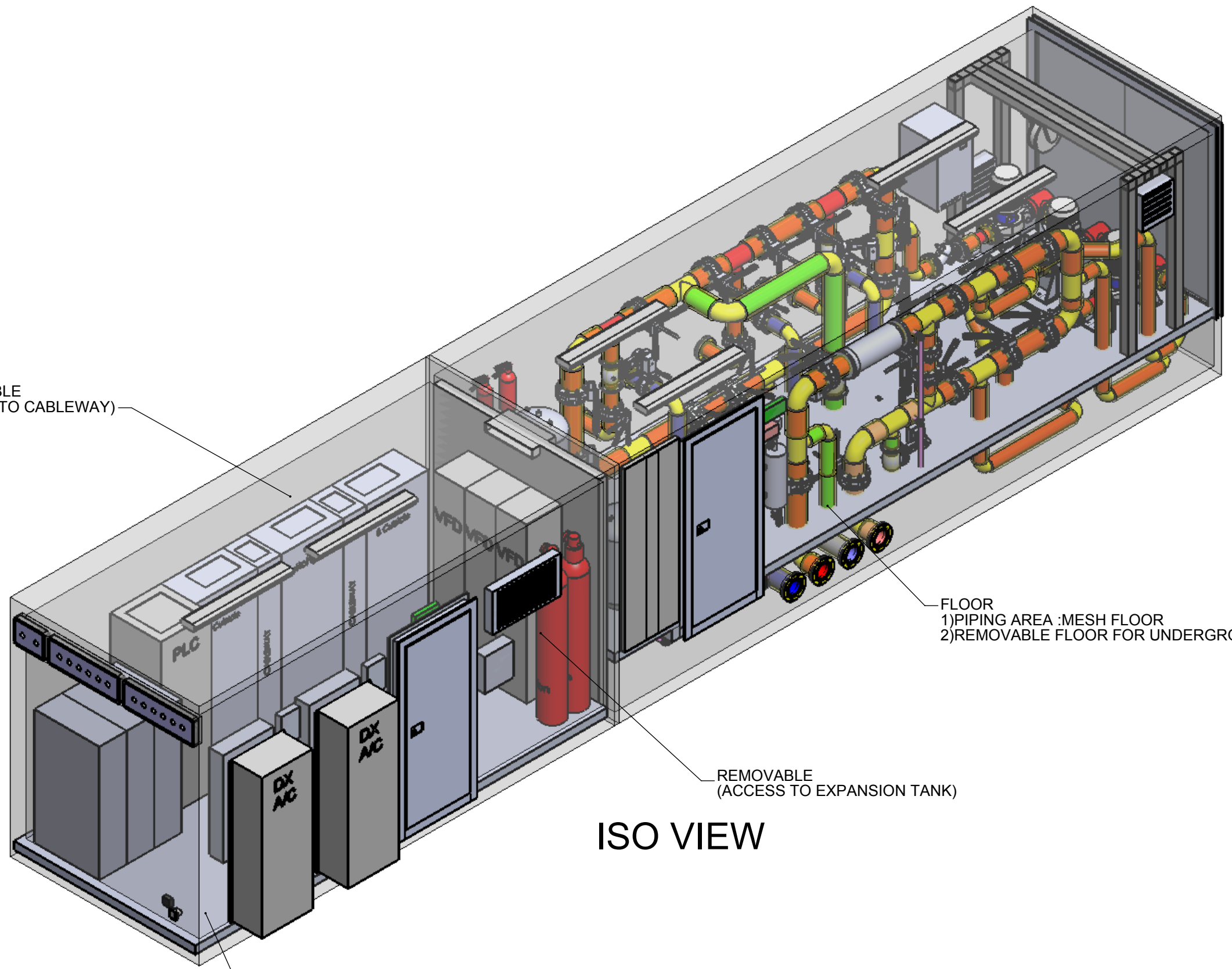
THE INFORMATION CONTAINED IN THIS DRAWING IS THE SOLE PROPERTY OF APC-MGE / SCHNEIDER ELECTRIC. ANY REPRODUCTION IN PART OR WHOLE WITHOUT WRITTEN PERMISSION OF APC-MGE IS PROHIBITED.



DOOR OPEN STATUS

UNLESS NOTED, DIMENSIONS IN MILLIMETERS & TOLERANCES ARE: X. ± 3 MM X° ± 1° X.X ± 1.5 MM X.X° ± 0.5° X.XX ± 0.50 MM ØX.X ± 0.3 MM ØX.XX ± 0.10 MM		DRAWN: YAOSHUN ENGINEER: RONG LONG DATE: 2014-04-03	2014-04-03		801 CORPORATE CENTER DR. OTTAWA, ONT. K1H 8S9 634-300-2333 634-300-2333 FAX
BRACKETED DIMENSIONS ARE IN INCHES & FOR REFERENCE ONLY		DRAWING FILE NAME: HM-500KW-50Hz	PRODUCT: Hydromics Modules		REV: E5
THIRD ANGLE PROJECTION		3D MODEL FILE NAME: TierIII 50Hz 3UPS	SIZE: B	500kw 50Hz GCN&EMEA TierIII 3UPS	SCALE: 1:100 DO NOT SCALE DRAWING INTERPRET PER ASME Y14.5M-1994

THE INFORMATION CONTAINED IN THIS DRAWING IS THE SOLE PROPERTY OF APC-MGE / SCHNEIDER ELECTRIC. ANY REPRODUCTION IN PART OR WHOLE WITHOUT WRITTEN PERMISSION OF APC-MGE IS PROHIBITED.



REMOVABLE
(ACCESS TO CABLEWAY)

FLOOR
1) PIPING AREA : MESH FLOOR
2) REMOVABLE FLOOR FOR UNDERGROUND VALVE SERVICE

REMOVABLE
(ACCESS TO EXPANSION TANK)

ISO VIEW

FLOOR
E&E AREA : SOLID FLOOR

UNLESS NOTED, DIMENSIONS IN MILLIMETERS & TOLERANCES ARE: X. ± 3 MM X° ± 1° X.X ± 1.5 MM X.X° ± 0.5° X.XX ± 0.50 MM ØX.X ± 0.3 MM ØX.XX ± 0.10 MM		DRAWN: YAOSHUN ENGINEER: RONG LONG ITEM WEIGHT (REFERENCE ONLY)	2014-04-03 2014-04-03		801 CORPORATE CENTER DR. CITAFALLON, MD 20614-3302 410-300-2300 410-300-2333 FAX
BRACKETED DIMENSIONS ARE IN INCHES & FOR REFERENCE ONLY		DRAWING FILE NAME	PRODUCT		MECHANICAL LAYOUT
THIRD ANGLE PROJECTION		3D MODEL FILE NAME: HM-500KW-50Hz 3D MODEL CONFIGURATION: TierIII 50Hz SUPS	SIZE: B 500kW 50Hz GCN&EMEA TierIII 3UPS	SCALE: 1:100 DO NOT SCALE DRAWING	INTERPRET PER ASME Y14.5M-1994 SHEET 6 OF 6