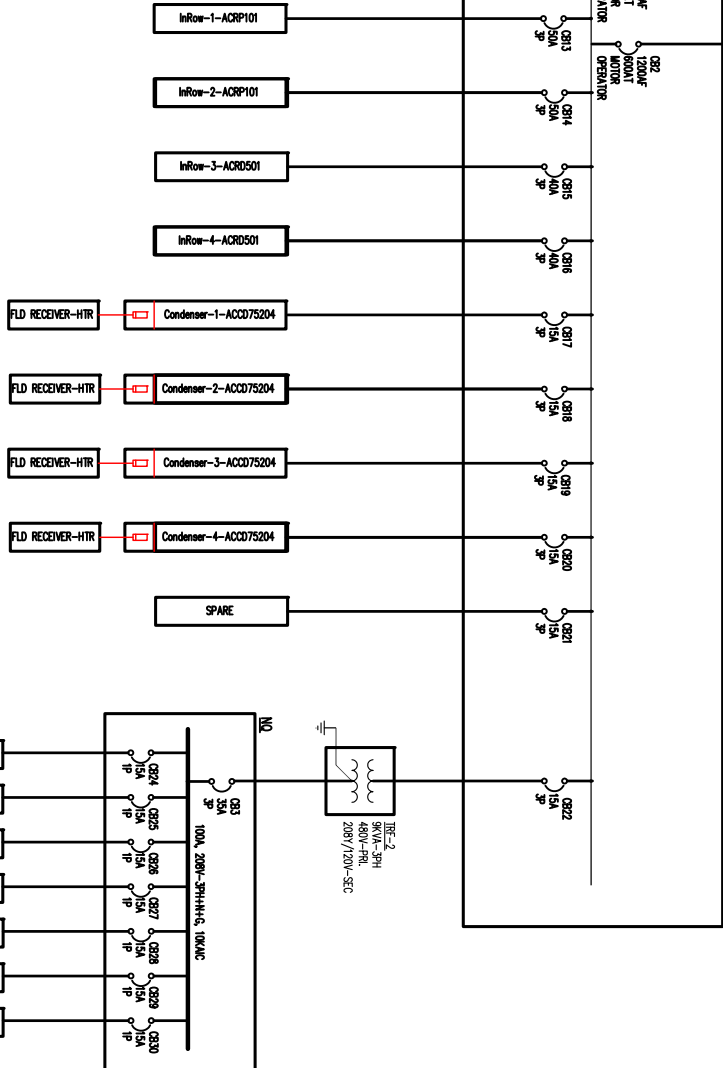
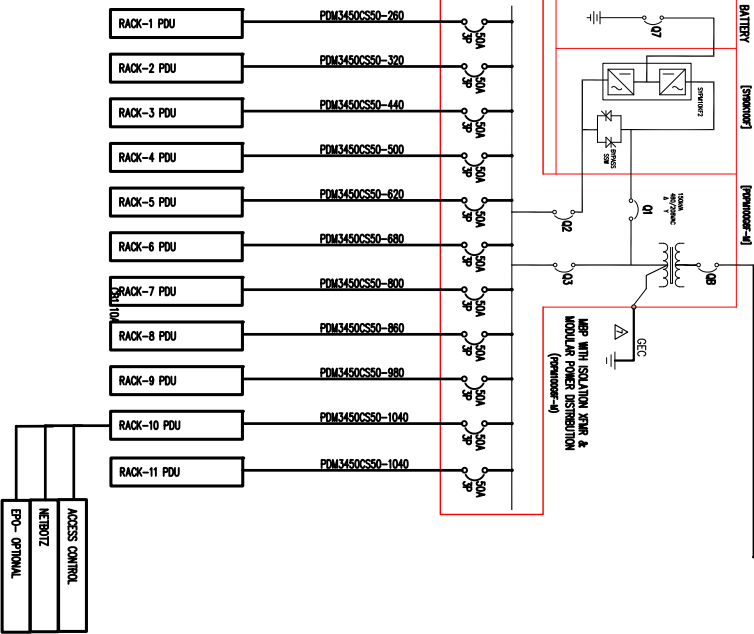
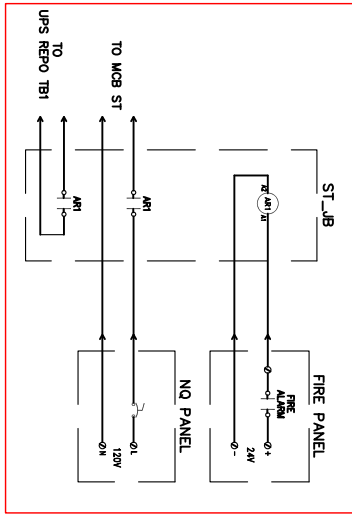


SOURCE #1	
UTILITY	480V-3PH-4WZ-3W-G
MINIMUM CIRCUIT CAPACITY	370 AMPS
MAXIMUM VOLTAGE DROP	2.4
PEC AT POINT OF CONTAINER ENTRANCE	65 KVA

SOURCE #2	
UTILITY / GENERATOR	480V-3PH-4WZ-3W-G
MINIMUM CIRCUIT CAPACITY	370 AMPS
MAXIMUM VOLTAGE DROP	2.4
PEC AT POINT OF CONTAINER ENTRANCE	65 KVA



THIS DRAWING AND SPECIFICATIONS HERIN ARE THE PROPERTY OF SCHNEIDER ELECTRIC AND SHALL NOT BE COPIED, REPRODUCED OR USED IN WHOLE OR IN PART AS THE BASIS FOR THE MANUFACTURE OR SALE OF ITEMS WITHOUT WRITTEN PERMISSION FROM SCHNEIDER ELECTRIC. THIS DRAWING IS BASED UPON LATEST AVAILABLE INFORMATION AND IS SUBJECT TO CHANGE WITHOUT NOTICE.



TITLE: MODULAR DATACENTER INFRASTRUCTURE 90KW ALI-IN-ONE PDU NAM SCHNEIDER ELECTRIC IT MODULE SYSTEM ONE LINE DIAGRAM PRODUCT: 90KW AIO PDU NAM SHEET 1 OF 1

DWG NO: PFMEIC090D1N11C REV: 1

DRAWN:	L. CHAVEZ	08 JUL 14	ANGLE
ENGINEER:	L. CHAVEZ	08 JUL 14	PROJECTION
APPROVED:	M. UHRMAN	08 JUL 14	N/A